

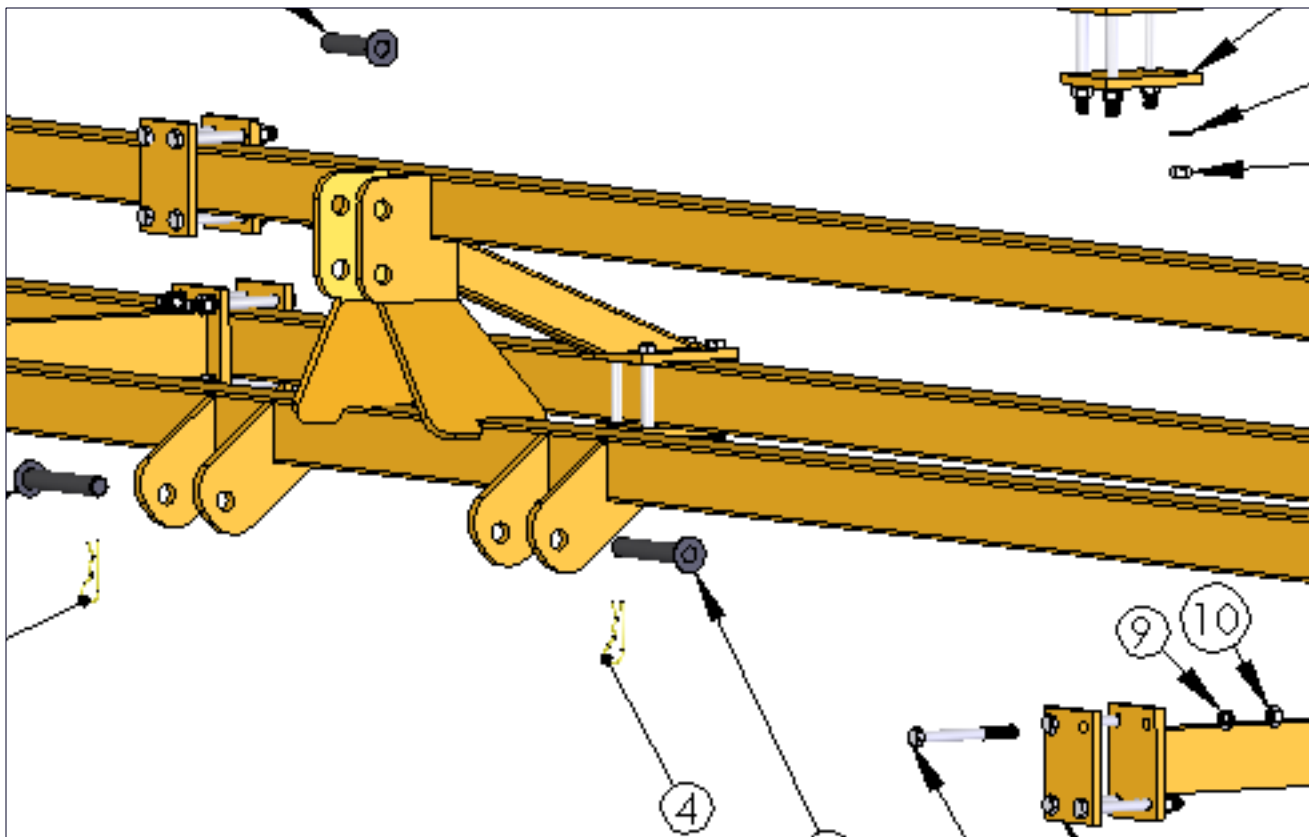
# Yield Pro Parts Catalog

2008-2009

## YLD 2001-260 6 ROW CULTIVATOR FRAME ASSEMBLY

4"X 4" Tool Bar for 6 Row Cultivator.

REF.	DESCRIPTION	PART NO.	REQ.
1	6 ROW CULTIVATOR FRAME	YLD-2001-106	1
2	UPPER 3 LINK PIN	YLD-2001-100	1
3	LOWER 3 LINK PIN	YLD-2001-110	2
4	HITCH CLIP	BLT-CH9	3
5	ANGLED SUPPORT	YLD-2001-130	2
6	HORIZONTAL SUPPORT	YLD-2001-140	2
7	CLAMP PLATE	YLD-2001-120	8
8	3/4" X 7" HEX BOLT	BLT-BH34-7-5	32
9	3/4" LOCK WASHER	BLT-WL34	32
10	3/4" HEX NUT	BLT-NH34	32

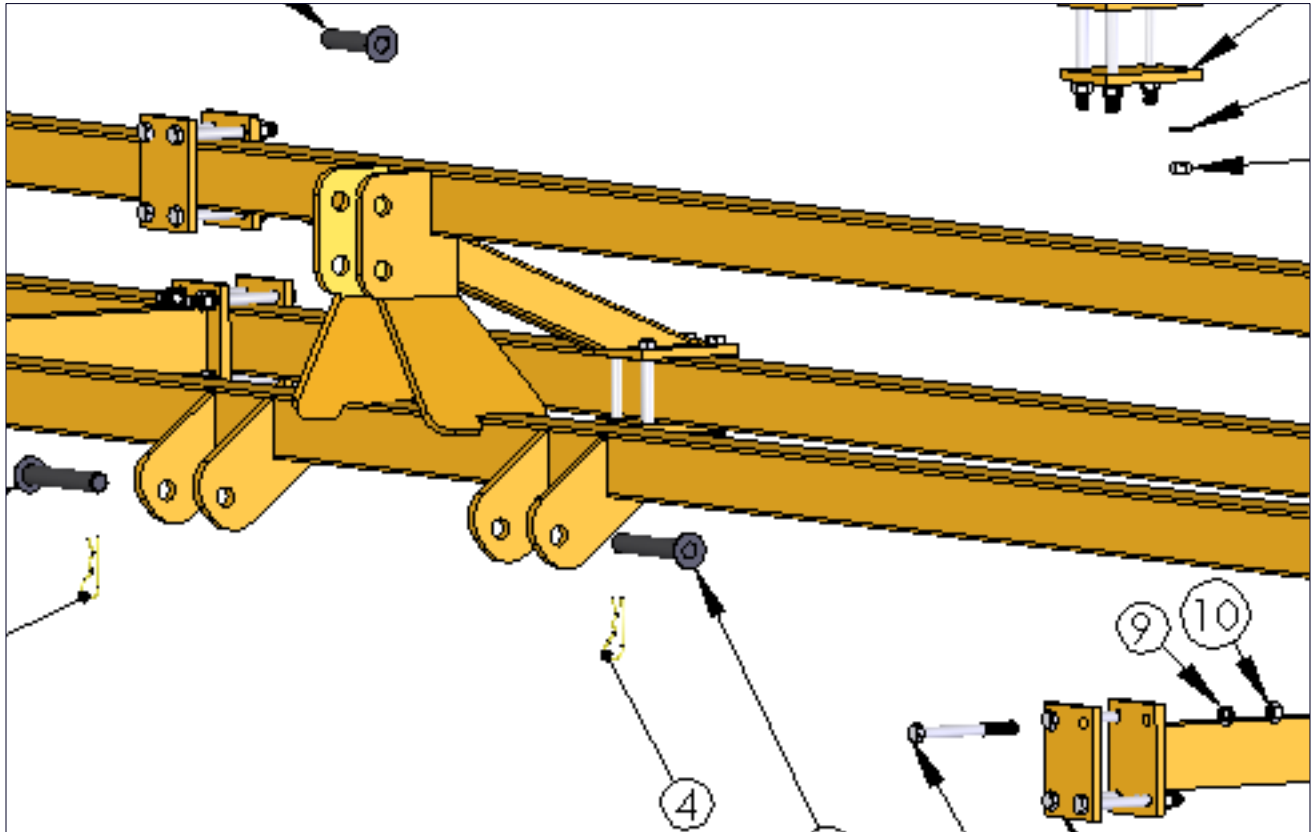


LOGAN FARM EQUIPMENT - 1-800-346-3623 - [www.loganfarmequipment.com](http://www.loganfarmequipment.com)

## YLD 2001-240 4 ROW CULTIVATOR FRAME ASSEMBLY

4"X 4" Tool Bar for 4 Row Cultivator.

REF.	DESCRIPTION	PART NO.	REQ.
1	4 ROW CULTIVATOR FRAME	YLD-2001-104	1
2	UPPER 3 LINK PIN	YLD-2001-100	1
3	LOWER 3 LINK PIN	YLD-2001-110	2
4	HITCH CLIP	BLT-CH9	3
5	ANGLED SUPPORT	YLD-2001-130	2
6	HORIZONTAL SUPPORT	YLD-2001-140	2
7	CLAMP PLATE	YLD-2001-120	8
8	3/4" X 7" HEX BOLT	BLT-BH34-7-5	32
9	3/4" LOCK WASHER	BLT-WL34	32
10	3/4" HEX NUT	BLT-NH34	32



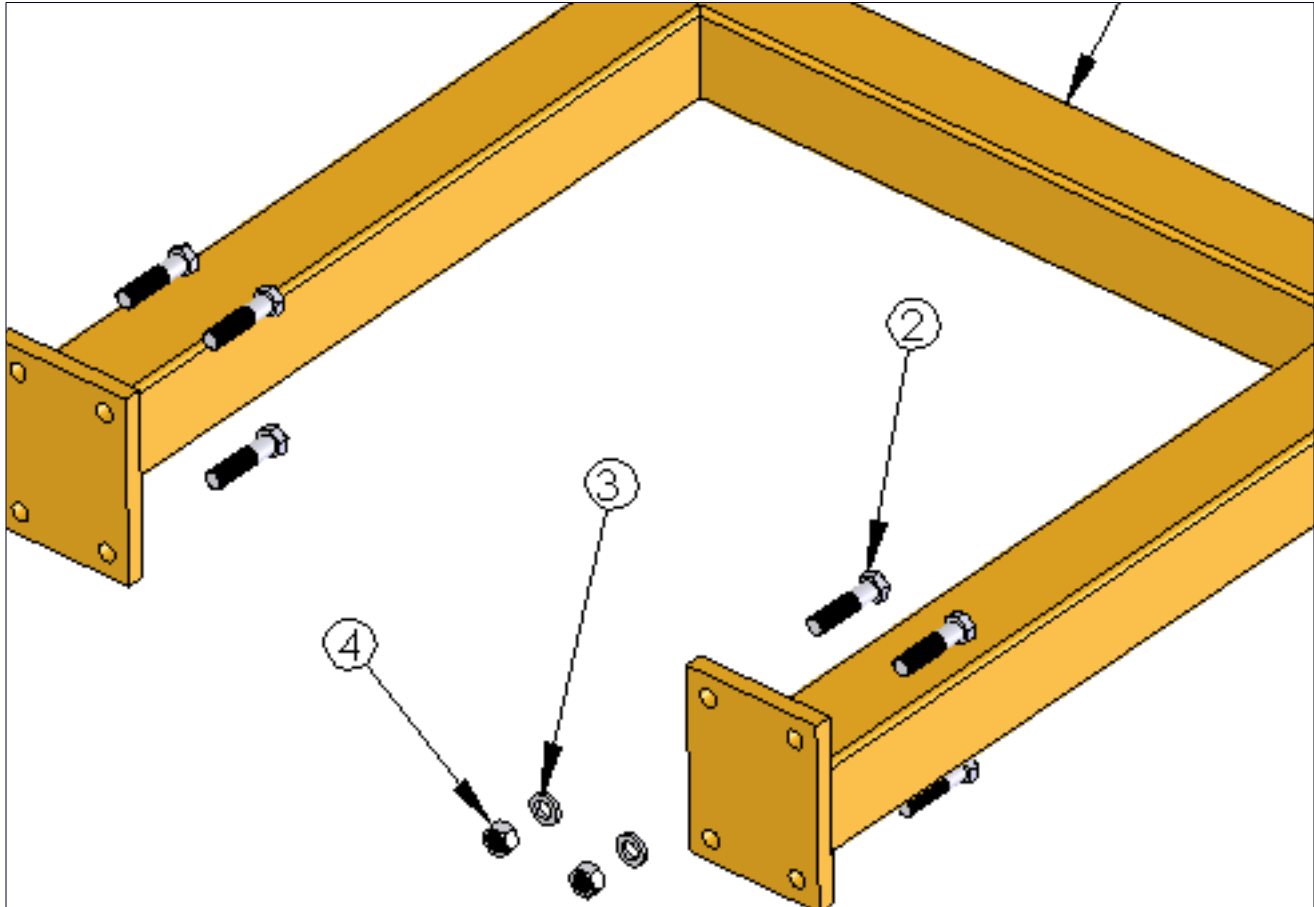
LOGAN FARM EQUIPMENT - 1-800-346-3623 - [www.loganfarmequipment.com](http://www.loganfarmequipment.com)

## YLD 2002-210 CULTIVATOR SIDE WING ASSEMBLY

4"X 4" Side Wing for Cultivator.

REF.	DESCRIPTION	PART NO.	REQ.
1	SIDE WING	YLD-2002-110	1
2	3/4 "X 3" HEX BOLT	BLT-BH34-3-5	8

3	3/4" LOCK WASHER	BLT-WL34	8
4	3/4" HEX NUT	BLT-NH34	8

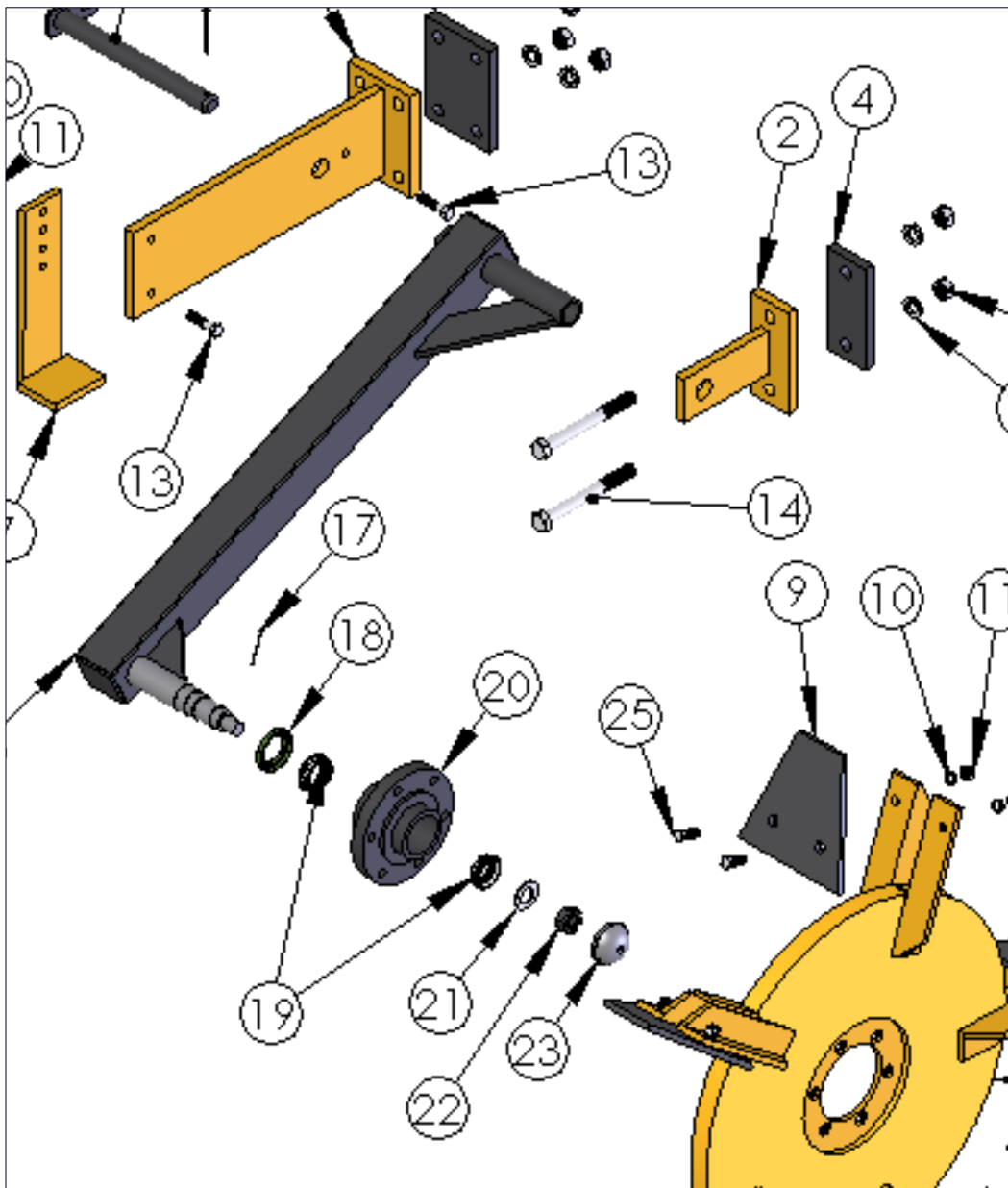


# YLD 2003-210 PADDLE WHEEL ASSEMBLY

REF.	DESCRIPTION	PART NO.	REQ.
1	LARGE MOUNTING BRACKET	YLD-2003-100	1
2	SMALL MOUNTING BRACKET	YLD-2003-110	1
3	7"X5" CLAMP STRAP	YLD-2003-012	1
4	7"X3" CLAMP STRAP	YLD-2003-013	1
5	1.25" MOUNTING PIN	YLD-2003-120	1
6	PADDLE ARM	YLD-2003-130	1
7	LIMITING ARM	YLD-2003-140	1
8	PADDLE WHEEL	YLD-2003-150	1
9	PADDLE	YLD-2003-029	5
10	1/2" HEX NUT	BLT-NH12	12
11	1/2" LOCK WASHER	BLT-NL12	12
12	3/16" X 3" COTTER PIN	BLTPC316-3	1
13	1/2" X 2" HEX BOLT	BLT-BH12-2-5	2

REF.	DESCRIPTION	PART NO.	REQ.
14	3/4" X 7" HEX BOLT	BLT-BH34-7-5	6
15	3/4" LOCK WASHER	BLT-WL34	6
16	3/4" HEX NUT	BLT-NH34	6
17	1/8" X2" COTTER PIN	LGN-905936	1
18	INNER HUB SEAL	LGN-906284	1
19	INSIDE AND OUTSIDE BEARING	LGN-GQ888H	1
20	HUB	LGN-910259	1
21	WASHER	LGN-913683	1
22	CASTELLATED NUT	LGN-912952	1
23	DUST CAP	LGN-909905	1
24	HUB BOLT	LGN-943549	6
25	PLOW BOLT	BLT-BP12-1-5	10

Right and Left Hand Paddle Wheels for use on 4"x4" tool bar.

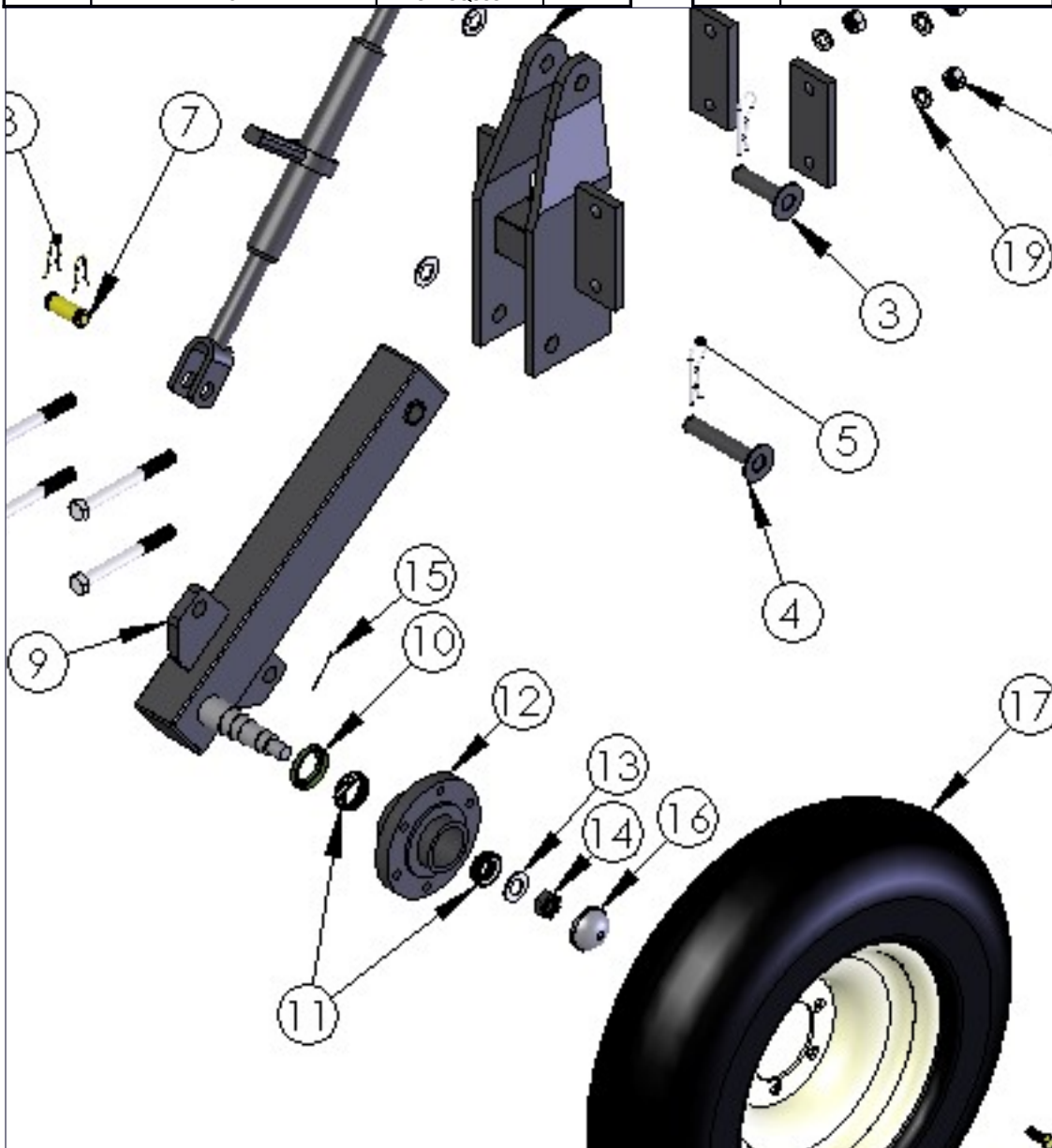


# YLD 2004-210 GAUGE WHEEL ASSEMBLY

Right and Left Hand Gauge Wheels for use on 4"x4" tool bar.

REF.	DESCRIPTION	PART NO.	REQ.
2	CLAMP STRAP	YLD-2004-018	2
3	UPPER PIN	YLD-2004-120	1
4	LOWER PIN	YLD-2004-130	1
5	HTICH CLIP	BLT-CH9	2
6	ADJUSTING RATCHET	LGN-R22590	1
7	CYLINDER PIN	BLT-P-1R	1
8	LOCK CLIP	BLT-CL-1R	2
9	R. H. OR L. H. LEG	YLD-2004-110	1
10	INNER SEAL	LGN-906284	1
11	INSIDE AND OUTSIDE BEARING	LGN-910259	1
12	HUB	LGN-GQ888H	1

REF.	DESCRIPTION	PART NO.	REQ.
13	WASHER	LGN-913683	1
14	CASTELLATED NUT	LGN-912952	1
15	1/8" X2" COTTER PIN	LGN-905936	1
16	DUST CAP	LGN-909905	1
17	WHEEL	LGN-W50133	1
18	HUB BOLT	LGN-943549	6
19	3/4" X 7" HEX BOLT	BLT-BH34-7-5	4
20	3/4" LOCK WASHER	BLT-WL34	4
21	3/4" HEX NUT	BLT-NH34	4
22	1" FLAT WASHER	BLT-WF1	2

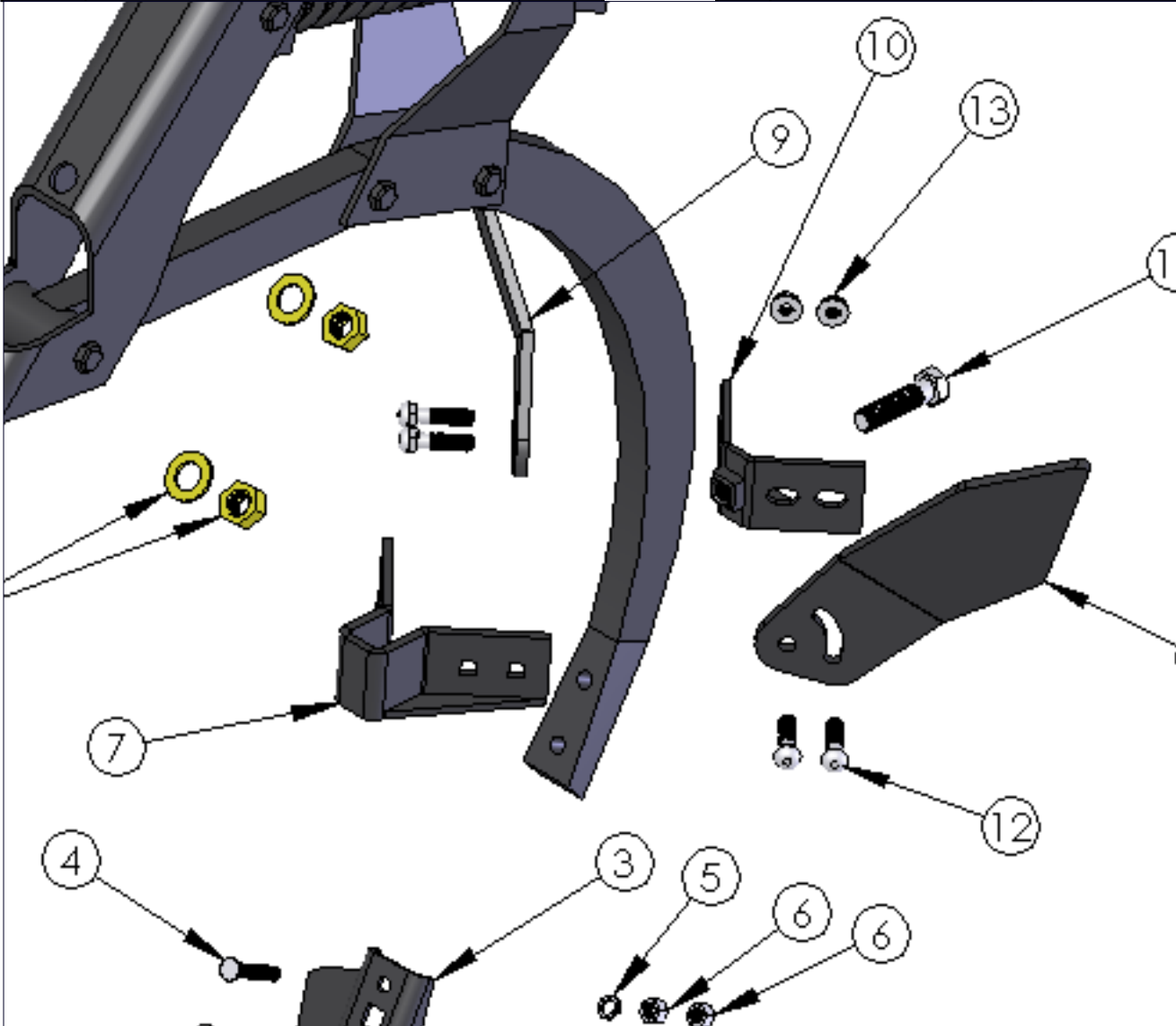


# YLD 2005-210 SHANK ASSEMBLY

True Depth Shank for use on 4"x4" tool bar.

REF.	DESCRIPTION	PART NO.	REQ.
1	TRUE DEPTH SHANK	YLD-JD	1
2	SHANK U BOLT HARDWARE	YLD-BN232075	1
3	SWEEP	YLD-5012R	1
4	7/16" X 2" PLOW BOLT	BLT-BP716-2	2
5	7/16" LOCK WASHER	BLT-WL716	2
6	7/16" NUT	BLT-NH716	4
7	HILLER FRONT	YLD-B2811	1

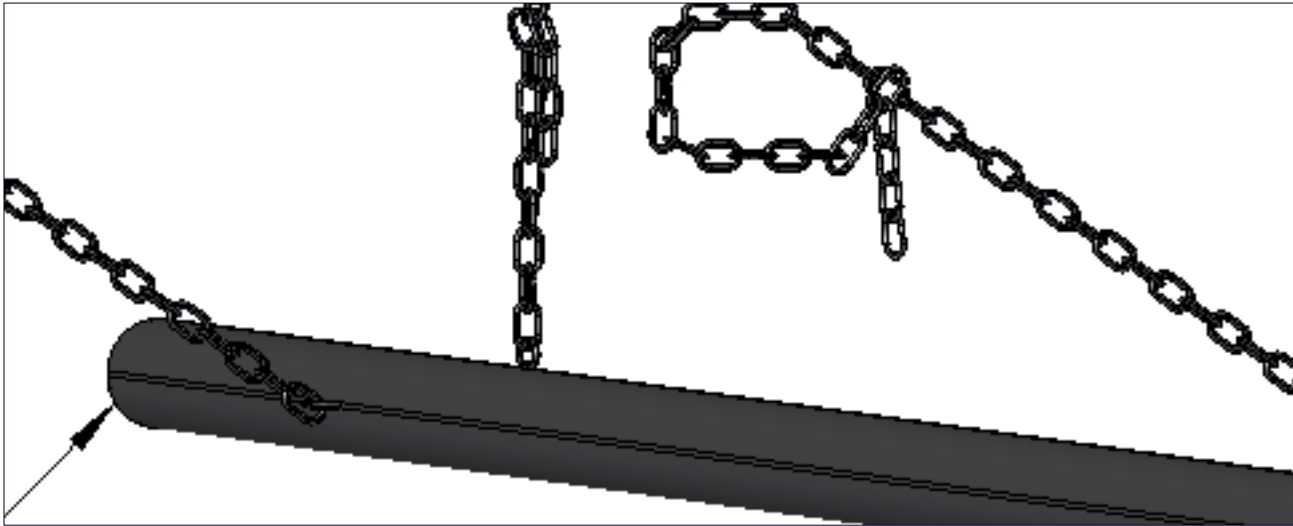
REF.	DESCRIPTION	PART NO.	REQ.
8	HILLER RIGHT WING	YLD-B2830	1
9	HILLER LEFT WING	YLD-B2831	1
10	HILLER BACK	YLD-B2840	1
11	5/8" X 3" SQ. HEAD BOLT	BLT-BS58-3-5	1
12	1/2" X 1 1/2" CARRIAGE BOLT	BLT-BC12-112-5	4
13	1/2" FLANGE NUT	BLT-NF12	4



# YLD 2006-218 CULTIVATOR DRAG PIPE ASSEMBLY

Drag Pipe for 8 Row Cultivator.

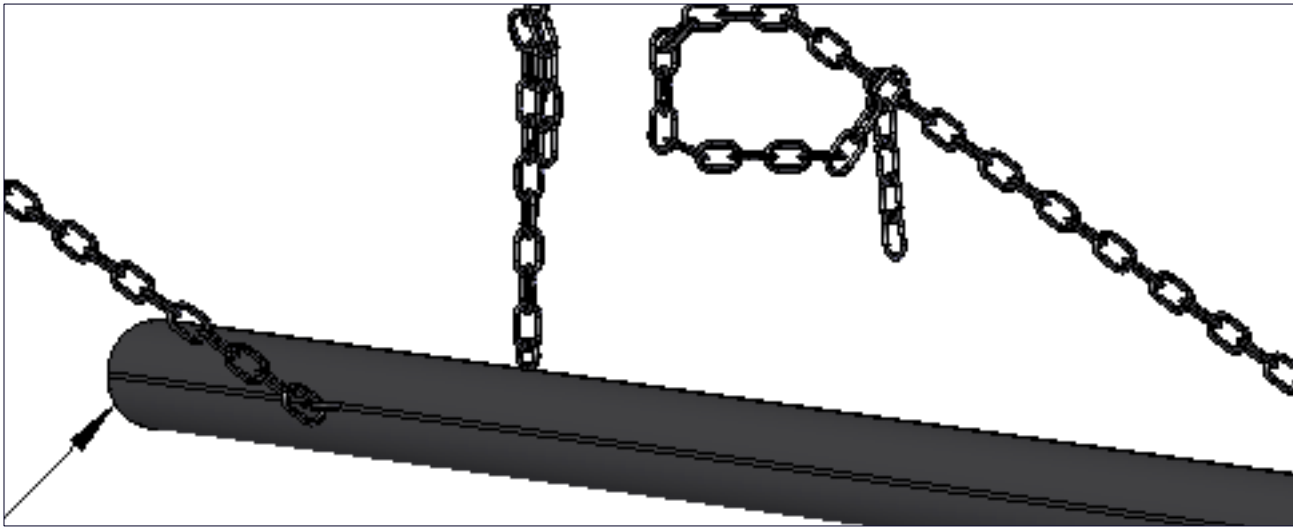
REF.	DESCRIPTION	PART NO.	REQ.
1	SIDE WING	YLD-2006-118	2



# YLD 2006-216 CULTIVATOR DRAG PIPE ASSEMBLY

Drag Pipe for 6 Row Cultivator.

REF.	DESCRIPTION	PART NO.	REQ.
1	SIDE WING	YLD 2006-116	2



# YLD 2006-214 CULTIVATOR DRAG PIPE ASSEMBLY

Drag Pipe for 4 Row Cultivator.

REF.	DESCRIPTION	PART NO.	REQ.
1	SIDE WING	YLD 2006-114	2

